

Model STP7069 Plastic

Lead-Free Tempering Valve

APPLICATION:

The Acorn STP7069 is an ASSE 1070 and ASSE 1069 certified, Lead-Free thermostatic tempering valve that protects against dangerously hot water in any commercial sink, lavatory, tub, and/or shower application. This valve can be used with any type of faucet for maximum flexibility and can accommodate a single lavatory or up to 8 hand washing stations having a 0.5 GPM flow rate and up to 3 showers with 1.5 GPM flow restrictors.

FEATURES:

- ◆ Lead-Free Noryl body and bonnet along with the other Lead-Free components result in a highly corrosion-resistant and lime-resistant valve
- Integral cartridge-style checks prevent cross-flow and strainers filter debris from entering the valve
- Temperature adjustment is made using an Allen wrench. A locknut on the bonnet prevents unauthorized or accidental temperature adjustment
- Commercial quality paraffin thermal actuator provides repeatable, reliable performance
- Factory set to 105°F (41°C) and field adjustable
- IAPMO certified to ASSE 1069
- IAPMO certified to ASSE 1070
- Optional TwistConnect™ allows for direct connection to copper or PEX with no added fittings or connectors

* In accordance with ASSE 1070 and ASSE 1069 as certified by IAPMO

** Under Normal Operating Conditions

◆ The wetted surface of these valves contacted by consumable water contains less than 0.25% of lead by weight in conformance with national Lead-Free law.



STP7069-12S



Patent #9,898,017

SPECIFICATIONS:

Valve Specifications:

Maximum Operating Pressure: 125 PSI (861 kPa)
 Flow Rate @ 45 PSI (310 kPa) differential:
 Flow Rate: 4.5 GPM (17 LPM)
 Minimum Flow Rate*: 0.25 GPM (1.0 LPM)
 Maximum Hot Water Temp: 180°F (82°C)
 Minimum Hot Water Supply Temp**: 5°F (3°C)
 Above Set Point
 Maximum Cold Water Supply Temp**: 5°F (3°C)
 Below Set Point
 Minimum Cold Water Temp: 39°F (4°C)
 Temperature Range*: 85°F-115°F (29°C-46°C)
 Connections 1/2" NPS
 With TwistConnect™ 3/8" & 1/2" O.D. Tube

PRESSURE DROP PSID (kPa)	Cv	5 (34)	10 (69)	15 (103)	20 (138)	30 (207)	45 (310)	60 (414)
FLOW RATE GPM (LPM)	0.7	1.5 (5.7)	2.1 (8)	2.6 (9.8)	3 (11.4)	3.7 (14)	4.5 (17)	5.2 (19.7)

GUIDE SPECIFICATION:

The lavatory tempering valve shall be independent lab certified per ASSE 1069, ASSE 1070 and CSA B125.3 at 0.25 GPM. It shall have a Noryl body and bonnet along with corrosion-resistant internal components. It shall include integral checks with screens to prevent backflow and to filter debris from entering the valve. Temperature adjustment shall be made using an Allen wrench and a locknut on the bonnet to prevent unauthorized or accidental temperature adjustment. Valve shall provide 4.5 GPM (17 LPM) capacity at 45 PSI (310 kPa) differential. Temperature range shall be 85°F-115°F (29°C-46°C). Valve shall be Acorn model STP7069.

Acorn Controls assumes no responsibility for use of void or superseded data. © Copyright Acorn Controls, City of Industry, CA, Division of Acorn Engineering Company, a member of Morris Group International. Please visit www.acorneng.com or most current specifications.

Submission # **STP7069**
New: 04/27/2020

Certifications:



ASSE 1069
ASSE 1070
CSA B125.3

NSF/ANSI 61
Certified



Est. 1954
ACORN ENGINEERING COMPANY
Manufacturer of Engineered Products

Member of Morris Group International™

ACORN ENGINEERING
COMPANY
P.O. BOX 3527
City of Industry, CA
91744, U.S.A.
Phone 800-488-8999
626-336-4561
Fax 626-961-2200
www.acorneng.com

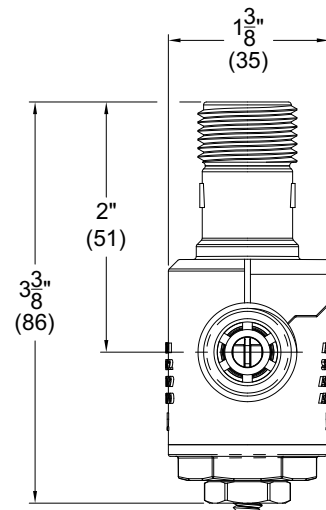
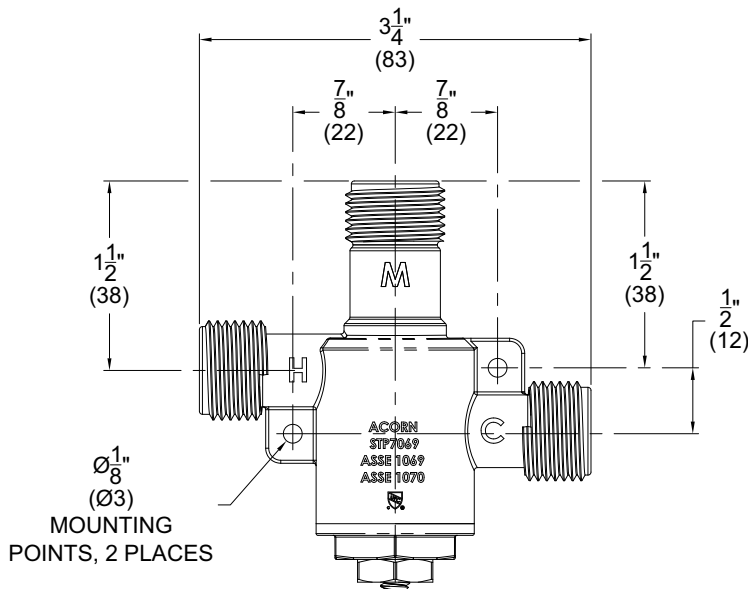
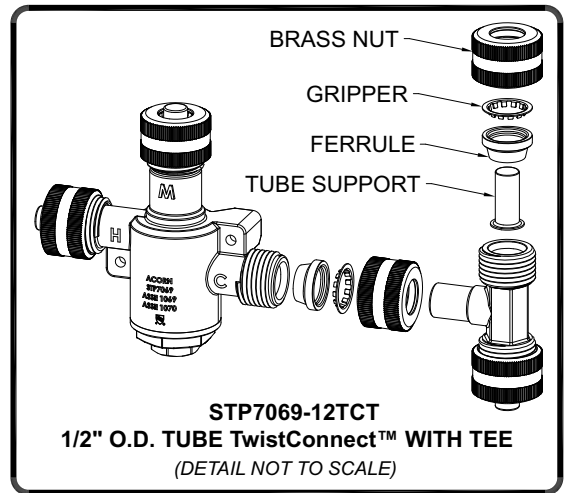
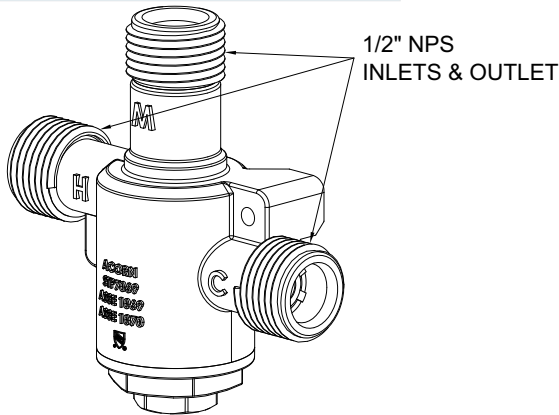
VALVE SELECTION:

- STP7069-12S Plastic Valve Body With 1/2" NPS Hose Connections

OPTIONS:

- 38TC TwistConnect™ Kit for 3/8" O.D. Tube
- 38TCT TwistConnect™ Kit for 3/8" O.D. Tube With Tee
- 12TC TwistConnect™ Kit for 1/2" O.D. Tube
- 12TCT TwistConnect™ Kit for 1/2" O.D. Tube With Tee

TECHNICAL DIMENSIONS:



STP7069 New: 04/27/2020

WARNING: Cancer and Reproductive Harm - www.P65Warnings.ca.gov

Acorn Controls warrants that its products are free from defects in material or workmanship under normal use and service for a period of one year from date of shipment. Acorn's liability under this warranty shall be discharged solely by replacement or repair of defective material, provided Acorn is notified in writing within one year from date of shipment, F.O.B. Industry, California.

SELECTION SUMMARY
& APPROVAL FOR
MANUFACTURING

Model Number & Options _____ Quantity _____

Company _____

Contact _____ Title _____

Signature (Approval for Manufacturing) _____ Date _____

ACORN
CONTROLS™

800-488-8999
or 626-336-4561
www.acorneng.com